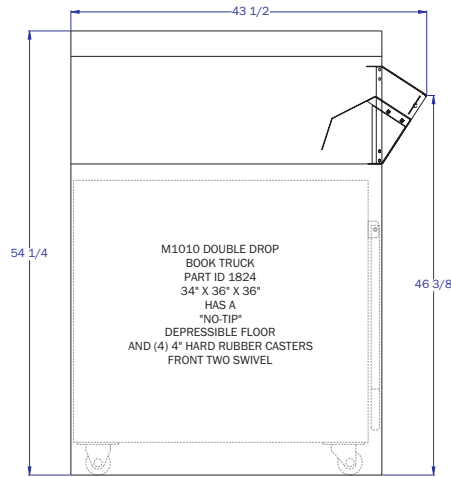


MODEL 1010 DOUBLE DROP INCLUDES

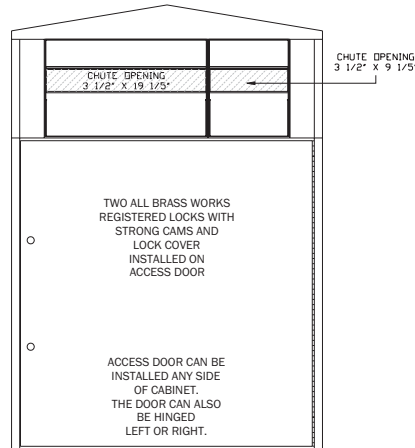
PART ID	DESCRIPTION
0142	STAINLESS STEEL CABINET, CAP, PANELS, LOCK AND KEYS
0716	DOUBLE DROP CHUTE INSTALLED ON ANY SIDE
1012	SIGNS BLUE OR BLACK INSTALLED LEFT AND RIGHT OF CHUTE
1002	ENGRAVED ID PLATE 1 1/4" X 8 1/2" PLATE
1824	M1010 DOUBLE DROP BOOK TRUCK FEATURES GENTLE DROP NO-TIP FLOOR

ACCESSORY OPTIONS

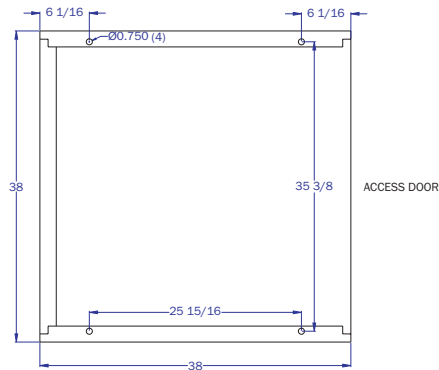
PART ID	DESCRIPTION
2716	DOUBLE DROP CHUTE ADDED FOR TWO SIDED DELIVERY
1822	BOOK TRUCK COVER WEATHER PROTECTIVE POLY DOUBLE STITCHED SEAMS
0610	CHUTE CLOSER INCLUDES SLIDE-PANEL, WITH "CLOSED" SIGN, PADLOCK AND 2 KEYS
0613	HEAVY DUTY WEATHER GUARD FOR ONE-HAND CHUTE AVAILABLE FOR ALL SIZE OHCS
1824	EXTRA M1010 BOOK TRUCK FEATURES GENTLE DROP NO-TIP FLOOR
1113	COLOR COATED ARMOR ENTIRE CABINET ONE COLOR



LEFT SIDE VIEW



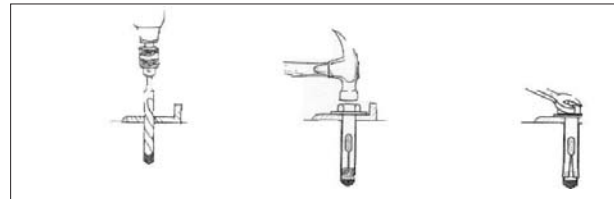
FRONT VIEW



FOOT PRINT

M1010 ANCHORS WITH (4) 1/2" SS ANCHORS

1. MARK AND DRILL HOLE SAME SIZE AS ANCHOR
2. TAP IN ANCHOR
3. SECURE WITH WRENCH



THE INFORMATION CONTAINED IN THIS DRAWING IS THE SOLE PROPERTY OF AMERICAN BOOK RETURNS. ANY MISUSE IN PART OR AS A WHOLE IS STRICTLY PROHIBITED BY AMERICAN BOOK RETURNS.

AMERICAN BOOK RETURNS
120 6TH AVE. NORTH
ST. CLOUD, MN 56303
320-253-3044

TITLE

M1010 DOUBLE DROP CUT SHEET

PART NAME

MODEL 1010-DD SS RETURN
FOR WALK-UP AND DRIVE-UP SERVICE

REV	DESCRIPTION	DATE	BY	TOL: UNLESS OTHERWISE SPECIFIED ANGLES: ±1° .XX±.030 .XXX±.010
	RELEASE	10-01-09	JRS	

SHEET	PART ID #	SCALE	REV
1 OF 1	SEE ABOVE	NTS	