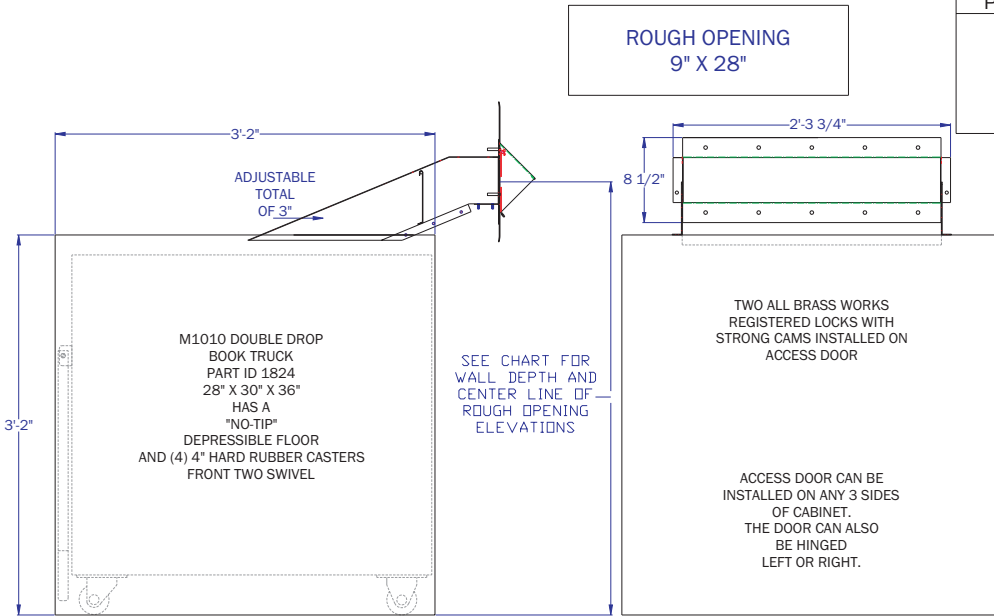


MODEL 1010-TW DOUBLE DROP INCLUDES

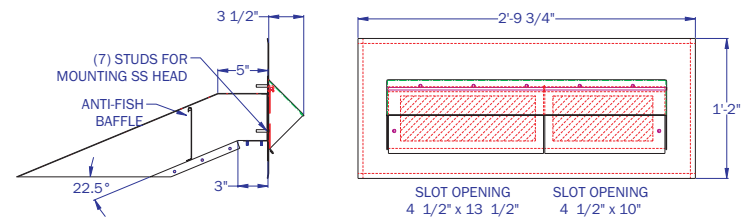
ACCESSORY OPTIONS

PART ID	DESCRIPTION
0146	STAINLESS STEEL (SS) CABINET, SS HEAD, DELIVERY CHUTE, LOCK AND KEYS, AND M910 BOOK TRUCK FEATURES GENTLE DROP NO-TIP FLOOR

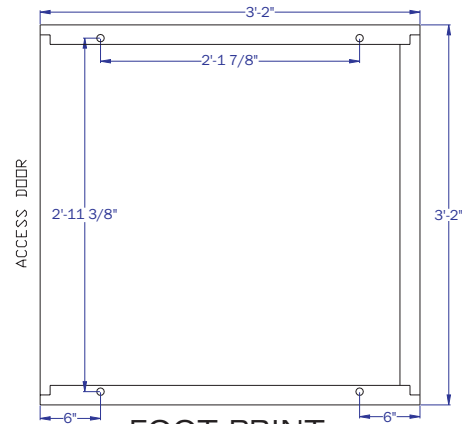
PART ID	DESCRIPTION
0608	LOCKABLE LIFT PLATE INCLUDES LOCK BAR, PAD LOCK, AND 2 KEYS
1824	EXTRA M910 BOOK TRUCK FEATURES GENTLE DROP NO-TIP FLOOR
1114	COLOR COATED ARMOR ENTIRE STAINLESS STEEL HEAD ONE COLOR



SS HEAD & DELIVERY CHUTE DETAIL



LEFT SIDE VIEW



FRONT VIEW

M1010-TW ANCHORS WITH (4) 1/2" SS ANCHORS

1. MARK AND DRILL HOLE SAME SIZE AS ANCHOR
2. TAP IN ANCHOR
3. SECURE WITH WRENCH



WALL DEPTH ELEVATIONS

ASSUMES SAME INTERIOR AND EXTERIOR GRADE

WALL DEPTH	C.L. OF ROUGH OPENING
4" - 6"	42 1/4" - 43"
6" - 8"	43" - 44"
8" - 10"	44" - 44 3/4"
10" - 12"	44 3/4" - 45 1/2"
12" - 14"	45 1/2" - 46 1/2"
14" - 16"	46 1/2" - 47 1/4"
16" - 18"	47 1/4" - 48"
18" - 20"	48" - 48 3/4"

THE INFORMATION CONTAINED IN THIS DRAWING IS THE SOLE PROPERTY OF AMERICAN BOOK RETURNS. ANY MISUSE IN PART OR AS A WHOLE IS STRICTLY PROHIBITED BY AMERICAN BOOK RETURNS.

AMERICAN BOOK RETURNS
120 6TH AVE. NORTH
ST. CLOUD, MN 56303
320-253-3044

TITLE
THRU-WALL_DOUBLE DROP WALL CUT OUT

PART NAME
MODEL 1010-TW DOUBLE DROP

REV	DESCRIPTION	DATE	BY	TOL: UNLESS OTHERWISE SPECIFIED ANGLES: ±1° .XX±.030 .XXX±.010
1	CHUTE ANGLE IS NOW 22.5° RELEASE	02-24-10 01-01-09	JRS JRS	

SHEET	PART ID #	SCALE	REV
1 OF 1	0146	NOT TO SCALE	1