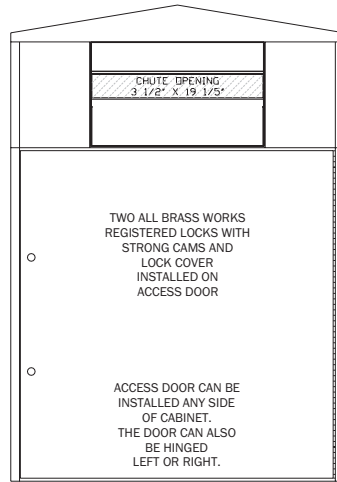
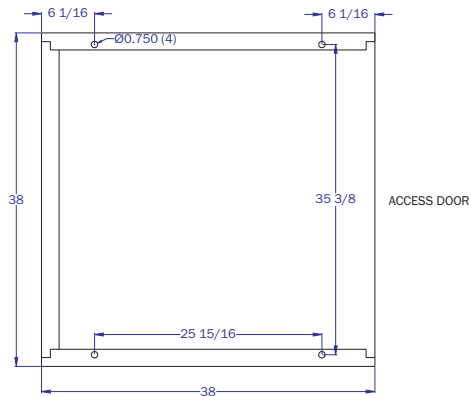


LEFT SIDE VIEW



FRONT VIEW



FOOT PRINT

MODEL 1010
INCLUDES

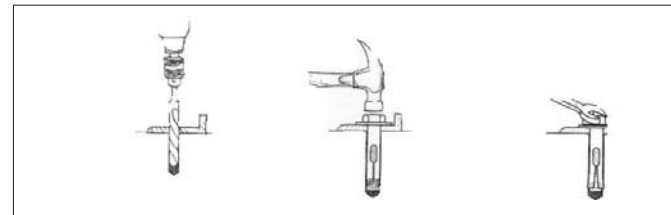
| PART ID | DESCRIPTION |
|---------|---|
| 0142 | STAINLESS STEEL CABINET, CAP, PANELS, LOCK AND KEYS |
| 0714 | ONE-HAND CHUTE INSTALLED ON ANY SIDE |
| 1006 | SIGNS, 2 IN BLUE OR BLACK INSTALLED LEFT AND RIGHT OF CHUTE |
| 1002 | ENGRAVED ID PLATE 1 1/4" X 8 1/2" PLATE |
| 1820 | M1010 BOOK TRUCK FEATURES GENTLE DROP NO-TIP FLOOR |

ACCESSORY OPTIONS

| PART ID | DESCRIPTION |
|---------|---|
| 2714 | ONE-HAND CHUTE (OHC) ADDED FOR TWO SIDED DELIVERY |
| 1822 | BOOK TRUCK COVER WEATHER PROTECTIVE POLY DOUBLE STITCHED SEAMS |
| 0610 | CHUTE CLOSER INCLUDES SLIDE-PANEL, WITH "CLOSED" SIGN, PADLOCK AND 2 KEYS |
| 0613 | HEAVY DUTY WEATHER GUARD FOR ONE-HAND CHUTE AVAILABLE FOR ALL SIZE OHC'S |
| 1820 | EXTRA M1010 BOOK TRUCK FEATURES GENTLE DROP NO-TIP FLOOR |
| 1113 | COLOR COATED ARMOR ENTIRE CABINET ONE COLOR |

M1010 ANCHORS WITH (4) 1/2" SS ANCHORS

1. MARK AND DRILL HOLE SAME SIZE AS ANCHOR
2. TAP IN ANCHOR
3. SECURE WITH WRENCH



THE INFORMATION CONTAINED IN THIS DRAWING IS THE SOLE PROPERTY OF AMERICAN BOOK RETURNS. ANY MISUSE IN PART OR AS A WHOLE IS STRICTLY PROHIBITED BY AMERICAN BOOK RETURNS.

AMERICAN BOOK RETURNS
120 6TH AVE. NORTH
ST. CLOUD, MN 56303
320-253-3044

TITLE

M1010 CUT SHEET

PART NAME

MODEL 1010 SS RETURN FOR
WALK-UP AND DRIVE-UP SERVICE

| REV | DESCRIPTION | DATE | BY |
|-----|-------------|----------|-----|
| | RELEASE | 05-29-09 | JRS |

TOL: UNLESS OTHERWISE SPECIFIED
ANGLES: ±1°
.XX±.030
.XXX±.010

SHEET

1 OF 1

PART ID #

SEE ABOVE

SCALE

NTS

REV