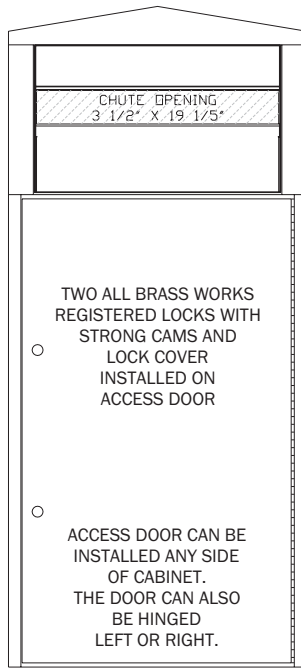


LEFT SIDE VIEW



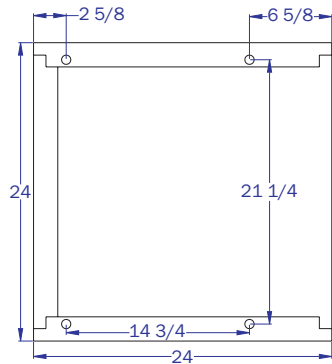
FRONT VIEW

**MODEL 810  
W/ DEPRESSIBLE FLOOR  
INCLUDES**

PART ID	DESCRIPTION
0140	STAINLESS STEEL CABINET, CAP, PANELS, LOCK AND KEYS
0714	ONE-HAND CHUTE INSTALLED ON ANY SIDE
1006	SIGNS, 2 IN BLUE OR BLACK INSTALLED LEFT AND RIGHT OF CHUTE
1002	ENGRAVED ID PLATE 1 1/4" X 8 1/2" PLATE

**ACCESSORY OPTIONS**

PART ID	DESCRIPTION
2714	ONE-HAND CHUTE (OHC) ADDED FOR TWO SIDED DELIVERY
0710	MEDIA SLOT 2 1/2" X 6 1/2" SLOT ACCEPTS MOST MEDIA (REPLACES CHUTE AT NO CHARGE)
1811	BOOK TRUCK COVER WEATHER PROTECTIVE POLY DOUBLE STITCHED SEAMS
0610	CHUTE CLOSER INCLUDES SLIDE-PANEL, WITH "CLOSED" SIGN, PADLOCK AND 2 KEYS
0613	HEAVY DUTY WEATHER GUARD FOR ONE-HAND CHUTE AVAILABLE FOR ALL SIZE OHC'S
1806	EXTRA M810 BOOK TRUCK FEATURES GENTLE DROP NO-TIP FLOOR
1113	COLOR COATED ARMOR ENTIRE CABINET ONE COLOR



FOOT PRINT

**M810 ANCHORS WITH (4) 1/2" SS ANCHORS**

1. MARK AND DRILL HOLE SAME
  2. TAP IN ANCHOR
  3. SECURE WITH WRENCH
- SIZE AS ANCHOR



THE INFORMATION CONTAINED IN THIS DRAWING IS THE SOLE PROPERTY OF AMERICAN BOOK RETURNS. ANY MISUSE IN PART OR AS A WHOLE IS STRICTLY PROHIBITED BY AMERICAN BOOK RETURNS.

AMERICAN BOOK RETURNS  
120 6TH AVE. NORTH  
ST. CLOUD, MN 56303  
320-253-3044

TITLE

**M810 CUT SHEET**

PART NAME

**MODEL 810 SS RETURN W/ DEPRESSIBLE FLOOR FOR WALK-UP AND DRIVE-UP SERVICE**

REV	DESCRIPTION	DATE	BY	TOL: UNLESS OTHERWISE SPECIFIED ANGLES: ±1° .XX±.030 .XXX±.010
	RELEASE	04-30-09	JRS	

SHEET	PART ID #	SCALE	REV
1 OF 1	SEE ABOVE	NTS	