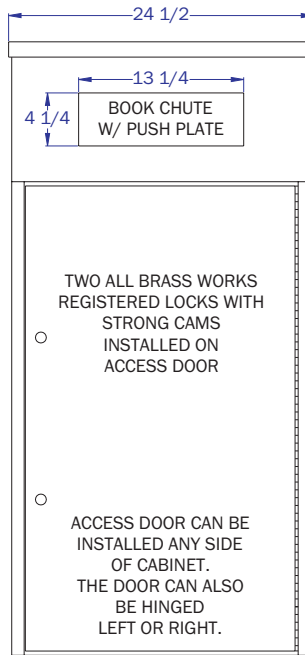
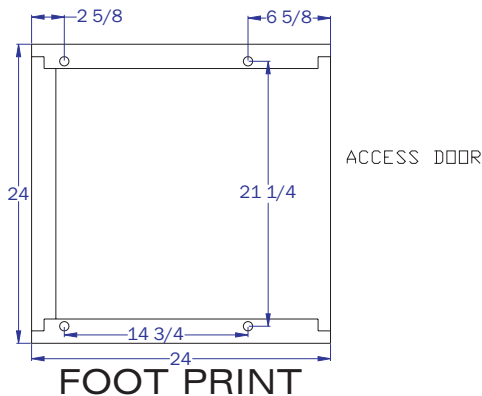


LEFT SIDE VIEW



FRONT VIEW



GRANITE TOP
"CALEDONIA"

MODEL 810 INTERIOR
INCLUDES

PART ID	DESCRIPTION
0150	POWDER COATED STEEL CABINET, WITH PUSH PLATE OPENING, LOCKS AND KEYS
0160	GRANITE TOP "CALEDONIA"
1002	ENGRAVED ID PLATE 1 1/4" X 8 1/2" PLATE
1005	SIGNS INSTALLED LEFT AND RIGHT OF CHUTE
1806	M810 BOOK TRUCK FEATURES GENTLE DROP NO-TIP FLOOR

ACCESSORY OPTIONS

PART ID	DESCRIPTION
1806	M810 BOOK TRUCK FEATURES GENTLE DROP NO-TIP FLOOR
1113	CUSTOM COLOR ENTIRE CABINET ONE COLOR W/ COMPLEMENTING SIGNS
0000	DEDUCT GRANITE TOP OWNER TO FURNISH TEMPLATE AVAILABLE FOR STONE CUTTER

M810 ANCHORS WITH (4) 1/2" SS ANCHORS

1. MARK AND DRILL HOLE SAME SIZE AS ANCHOR
2. TAP IN ANCHORS
3. SECURE WITH WRENCH



THE INFORMATION CONTAINED IN THIS DRAWING IS THE SOLE PROPERTY OF AMERICAN BOOK RETURNS. ANY MISUSE IN PART OR AS A WHOLE IS STRICTLY PROHIBITED BY AMERICAN BOOK RETURNS.

AMERICAN BOOK RETURNS
120 6TH AVE. NORTH
ST. CLOUD, MN 56303
320-253-3044

TITLE

M810 INTERIOR CUT SHEET

PART NAME

MODEL 810 INTERIOR RETURN

REV	DESCRIPTION	DATE	BY	TOL: UNLESS OTHERWISE SPECIFIED ANGLES: ±1° .XX±.030 .XXX±.010
	RELEASE	08-03-10	JRS	

SHEET

1 OF 1

PART ID #

SEE ABOVE

SCALE

NTS

REV