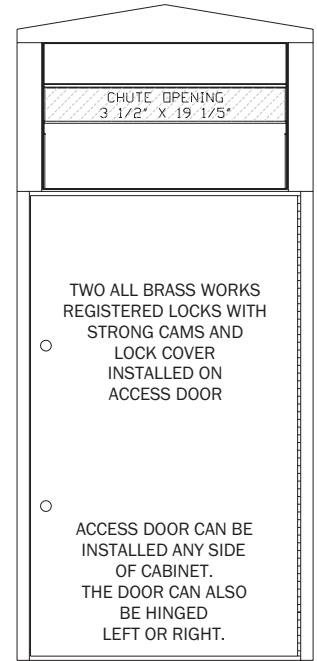


LEFT SIDE VIEW



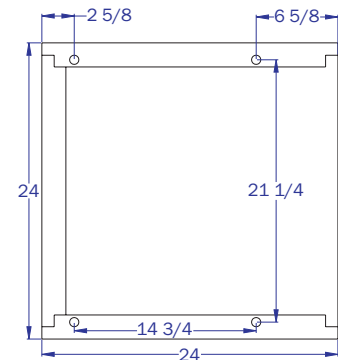
FRONT VIEW

MODEL 810 INCLUDES

PART ID	DESCRIPTION
0131	STAINLESS STEEL CABINET, CAP, PANELS, LOCK AND KEYS
0714	ONE-HAND CHUTE INSTALLED ON ANY SIDE
1006	SIGNS, 2 IN BLUE OR BLACK INSTALLED LEFT AND RIGHT OF CHUTE
1002	ENGRAVED ID PLATE 1 1/4" X 8 1/2" PLATE
1806	M810 BOOK TRUCK FEATURES GENTLE DROP NO-TIP FLOOR

ACCESSORY OPTIONS

PART ID	DESCRIPTION
2714	ONE-HAND CHUTE (OHC) ADDED FOR TWO SIDED DELIVERY
0710	MEDIA SLOT 2 1/2" X 6 1/2" SLOT ACCEPTS MOST MEDIA (REPLACES CHUTE AT NO CHARGE)
1811	BOOK TRUCK COVER WEATHER PROTECTIVE POLY DOUBLE STITCHED SEAMS
0610	CHUTE CLOSER INCLUDES SLIDE-PANEL, WITH "CLOSED" SIGN, PADLOCK AND 2 KEYS
0613	HEAVY DUTY WEATHER GUARD FOR ONE-HAND CHUTE AVAILABLE FOR ALL SIZE OHCS
1806	EXTRA M810 BOOK TRUCK FEATURES GENTLE DROP NO-TIP FLOOR
1113	COLOR COATED ARMOR ENTIRE CABINET ONE COLOR

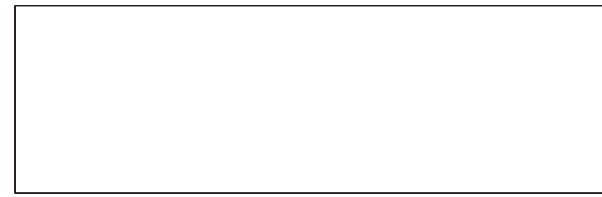


FOOT PRINT

ACCESS DOOR

M810 ANCHORS WITH (4) 1/2" SS ANCHORS

1. MARK AND DRILL HOLE SAME SIZE AS ANCHOR
2. TAP IN ANCHOR
3. SECURE WITH WRENCH



THE INFORMATION CONTAINED IN THIS DRAWING IS THE SOLE PROPERTY OF AMERICAN BOOK RETURNS. ANY MISUSE IN PART OR AS A WHOLE IS STRICTLY PROHIBITED BY AMERICAN BOOK RETURNS.

AMERICAN BOOK RETURNS
120 6TH AVE. NORTH
ST. CLOUD, MN 56303
320-253-3044

TITLE
M810 CUT SHEET

PART NAME
MODEL 810 SS RETURN FOR WALK-UP AND DRIVE-UP SERVICE

REV	DESCRIPTION	DATE	BY
	RELEASE	04-30-09	JRS

TOL: UNLESS OTHERWISE SPECIFIED
ANGLES: ±1°
.XX±.030
.XXX±.010

SHEET	PART ID #	SCALE	REV
1 OF 1	SEE ABOVE	NTS	