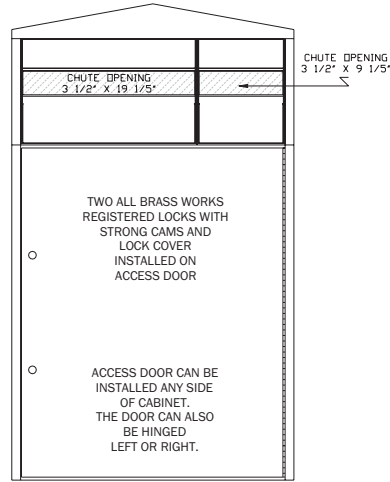


LEFT SIDE VIEW



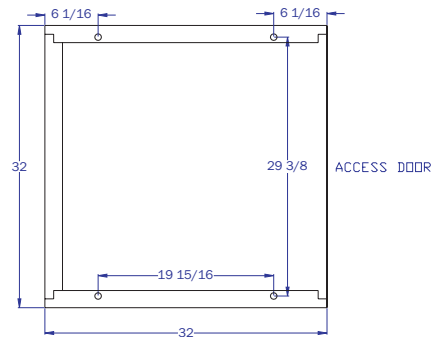
FRONT VIEW

MODEL 910 DOUBLE DROP INCLUDES

PART ID	DESCRIPTION
0141	STAINLESS STEEL CABINET, CAP, PANELS, LOCK AND KEYS
0716	DOUBLE DROP CHUTE FOR WALK-UP OR DRIVE-UP SERVICE
1012	SIGNS BLUE OR BLACK INSTALLED LEFT AND RIGHT OF CHUTE
1002	ENGRAVED ID PLATE 1 1/4" X 8 1/2" PLATE
1823	M910 DOUBLE DROP BOOK TRUCK FEATURES GENTLE DROP NO-TIP FLOOR

ACCESSORY OPTIONS

PART ID	DESCRIPTION
2716	DOUBLE DROP CHUTE FOR WALK-UP OR DRIVE-UP SERVICE
1821	BOOK TRUCK COVER WEATHER PROTECTIVE POLY DOUBLE STITCHED EACH SEAM
0614	CHUTE CLOSER FOR DBL DROP INCLUDES SLIDE-PANEL, WITH "CLOSED" SIGN, PADLOCK AND 2 KEYS
0613	HEAVY DUTY WEATHER GUARD FOR ONE-HAND CHUTE AVAILABLE FOR ALL SIZE OHC'S
1823	EXTRA M910 DOUBLE DROP BOOK TRUCK FEATURES GENTLE DROP NO-TIP FLOOR
1113	COLOR COATED ARMOR ENTIRE CABINET ONE COLOR



FOOT PRINT

M910 ANCHORS WITH (4) 1/2" SS ANCHORS

1. MARK AND DRILL HOLE SAME SIZE AS ANCHOR
2. TAP IN ANCHORS
3. SECURE WITH WRENCH



THE INFORMATION CONTAINED IN THIS DRAWING IS THE SOLE PROPERTY OF AMERICAN BOOK RETURNS. ANY MISUSE IN PART OR AS A WHOLE IS STRICTLY PROHIBITED BY AMERICAN BOOK RETURNS.

AMERICAN BOOK RETURNS
120 6TH AVE, NORTH
ST. CLOUD, MN 56303
320-253-3044

TITLE
M910 DOUBLE DROP CUT SHEET

PART NAME
MODEL 910-DD SS RETURN FOR WALK-UP AND DRIVE-UP SERVICE

REV	DESCRIPTION	DATE	BY
	RELEASE	10-01-09	JRS

TOL: UNLESS OTHERWISE SPECIFIED
ANGLES: ±1°
.XX±.030
.XXX±.010

SHEET	PART ID #	SCALE	REV
1 OF 1	0141	NTS	