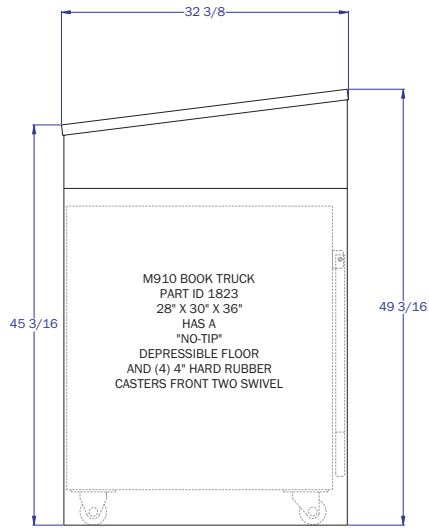


MODEL 910 INTERIOR DOUBLE DROP INCLUDES

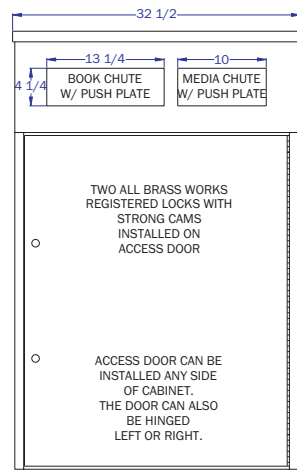
ACCESSORY OPTIONS

PART ID	DESCRIPTION
0153	COLOR COATED STEEL CABINET, WITH PUSH PLATE OPENINGS, LOCKS AND KEYS
0161	GRANITE TOP "CALIDONIA"
1002	ENGRAVED ID PLATE 1 1/4" X 8 1/2" PLATE
1012	SIGNS INSTALLED LEFT AND RIGHT OF CHUTE
1823	M910 BOOK TRUCK FEATURES GENTLE DROP NO-TIP FLOOR

PART ID	DESCRIPTION
1823	EXTRA M910 BOOK TRUCK FEATURES GENTAL DROP NO-TIP FLOOR
1113	CUSTOM COLOR ENTIRE CABINET ONE COLOR W/ COMPLEMENTING SIGNS
0000	DEDUCT GRANITE TOP OWNER TO FURNISH TEMPLATE AVAILABLE FOR STONE CUTTER



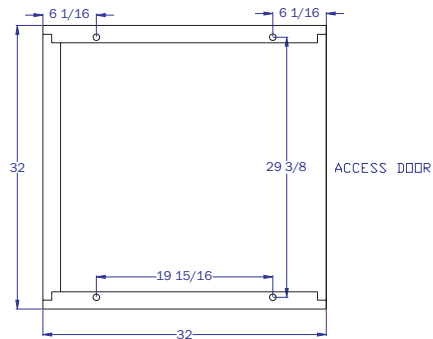
LEFT SIDE VIEW



FRONT VIEW

M910 ANCHORS WITH (4) 1/2" SS ANCHORS

1. MARK AND DRILL HOLE SAME SIZE AS ANCHOR
2. TAP IN ANCHORS
3. SECURE WITH WRENCH



FOOT PRINT



GRANITE TOP "CALIDONIA"

THE INFORMATION CONTAINED IN THIS DRAWING IS THE SOLE PROPERTY OF AMERICAN BOOK RETURNS. ANY MISUSE IN PART OR AS A WHOLE IS STRICTLY PROHIBITED BY AMERICAN BOOK RETURNS.

AMERICAN BOOK RETURNS
120 6TH AVE. NORTH
ST. CLOUD, MN 56303
320-253-3044

TITLE
M910 INTERIOR DOUBLE DROP CUT SHEET

PART NAME
MODEL 910 INTERIOR DOUBLE DROP RETURN

REV	DESCRIPTION	DATE	BY	TOL: UNLESS OTHERWISE SPECIFIED ANGLES: ±1° .XX±.030 .XXX±.010
	RELEASE	08-03-10	JRS	

SHEET	PART ID #	SCALE	REV
1 OF 1	SEE ABOVE	NTS	