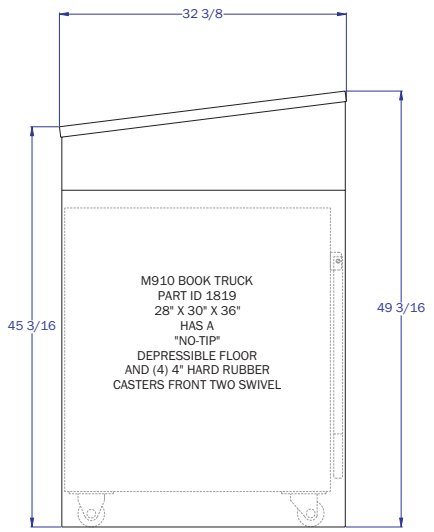


# MODEL 910 INTERIOR INCLUDES

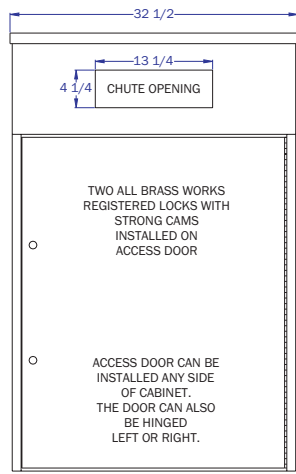
PART ID	DESCRIPTION
0152	COLOR COATED STEEL CABINET, WITH PUSH PLATE OPENINGS, LOCKS AND KEYS
0161	GRANITE TOP "CALEDONIA"
1002	ENGRAVED ID PLATE 1 1/4" X 8 1/2" PLATE
1006	SIGNS INSTALLED LEFT AND RIGHT OF CHUTE
1819	M910 BOOK TRUCK FEATURES GENTLE DROP NO-TIP FLOOR

# ACCESSORY OPTIONS

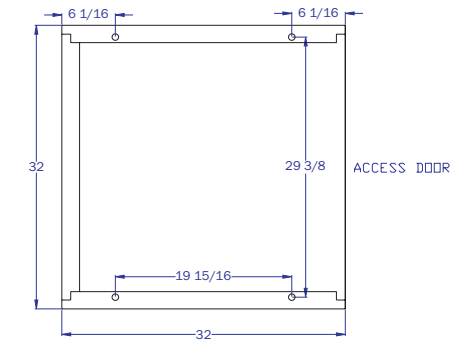
PART ID	DESCRIPTION
1819	EXTRA M910 BOOK TRUCK FEATURES GENTAL DROP NO-TIP FLOOR
1113	CUSTOM COLOR ENTIRE CABINET ONE COLOR W/ COMPLEMENTING SIGNS
0000	DEDUCT GRANITE TOP OWNER TO FURNISH TEMPLATE AVAILABLE FOR STONE CUTTER



LEFT SIDE VIEW



FRONT VIEW



FOOT PRINT



GRANITE TOP "CALEDONIA"

## M910 ANCHORS WITH (4) 1/2" SS ANCHORS

1. MARK AND DRILL HOLE SAME
  2. TAP IN ANCHORS
  3. SECURE WITH WRENCH
- SIZE AS ANCHOR



THE INFORMATION CONTAINED IN THIS DRAWING IS THE SOLE PROPERTY OF AMERICAN BOOK RETURNS. ANY MISUSE IN PART OR AS A WHOLE IS STRICTLY PROHIBITED BY AMERICAN BOOK RETURNS.

AMERICAN BOOK RETURNS  
120 6TH AVE. NORTH  
ST. CLOUD, MN 56303  
320-253-3044

TITLE  
**M910 INTERIOR CUT SHEET**

PART NAME  
**MODEL 910 INTERIOR RETURN**

REV	DESCRIPTION	DATE	BY
	RELEASE	08-03-10	JRS

TOL: UNLESS OTHERWISE SPECIFIED  
ANGLES: ±1°  
.XX±.030  
.XXX±.010

SHEET	PART ID #	SCALE	REV
1 OF 1	SEE ABOVE	NTS	