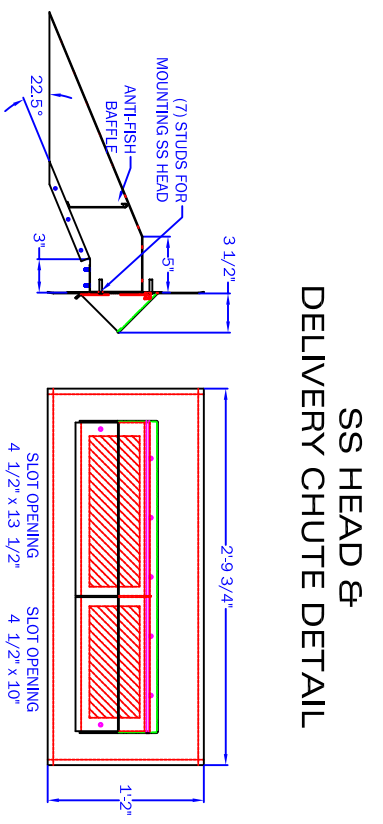
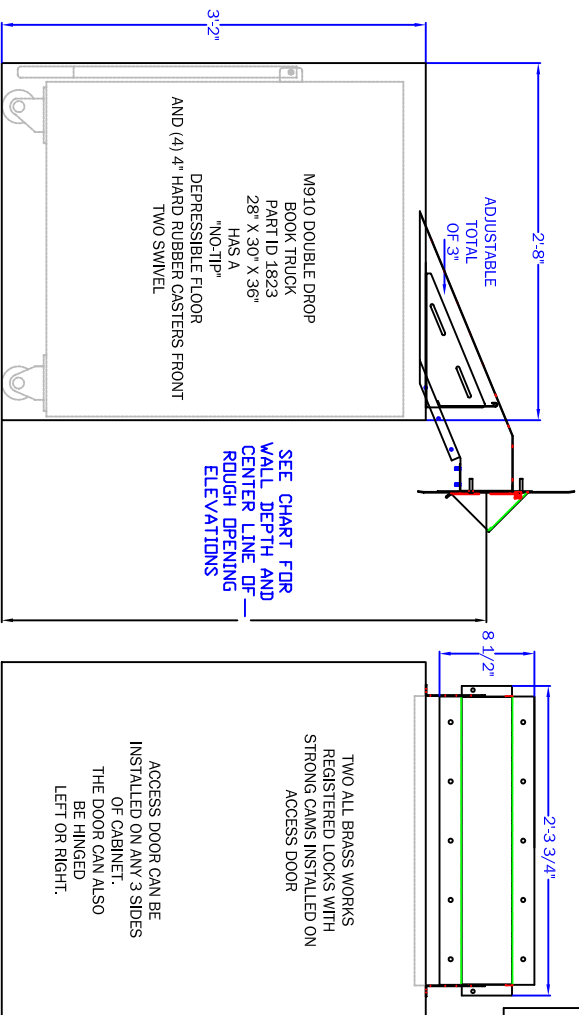


MODEL 910-TW DOUBLE DROP INCLUDES

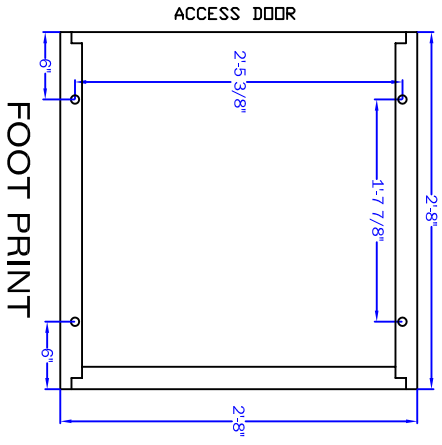
ACCESSORY OPTIONS

PART ID	DESCRIPTION	PART ID	DESCRIPTION
0145	SS HEAD, COATED STEEL TOP, CABINET, & DELIVERY CHUTE LOCK AND KEYS, AND M910 BOOK TRUCK FEATURES GENTLE DROP NO-TIP FLOOR	0608	LOCKABLE LIFT PLATE INCLUDES LOCK BAR, PAD LOCK, AND 2 KEYS
		1823	EXTRA M910 BOOK TRUCK FEATURES GENTLE DROP NO-TIP FLOOR
		1114	COLOR COATED ARMOR ENTIRE STAINLESS STEEL HEAD ONE COLOR

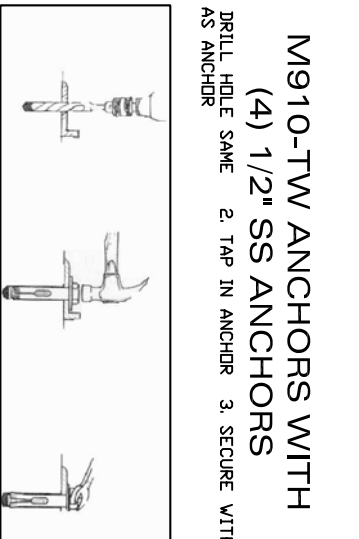
ROUGH OPENING
9" X 28"



LEFT SIDE VIEW

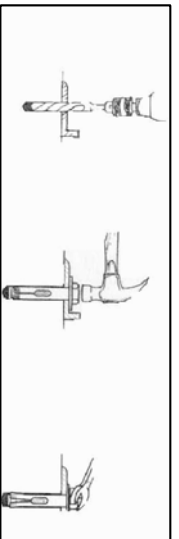


FRONT VIEW



M910-TW ANCHORS WITH (4) 1/2" SS ANCHORS

1. MARK AND DRILL HOLE SAME SIZE AS ANCHOR
2. TAP IN ANCHOR
3. SECURE WITH WRENCH



WALL DEPTH ELEVATIONS

ASSUMES SAME INTERIOR AND EXTERIOR GRADE

WALL DEPTH	C.L. OF ROUGH OPENING
4" - 6"	42 1/4" - 43"
6" - 8"	43" - 44"
8" - 10"	44" - 44 3/4"
10" - 12"	44 3/4" - 45 1/2"
12" - 14"	45 1/2" - 46 1/2"
14" - 16"	46 1/2" - 47 1/4"
16" - 18"	47 1/4" - 48"
18" - 20"	48" - 48 3/4"

THE INFORMATION CONTAINED IN THIS DRAWING IS THE SOLE PROPERTY OF AMERICAN BOOK RETURNS. ANY MISUSE IN PART OR AS A WHOLE IS STRICTLY PROHIBITED BY AMERICAN BOOK RETURNS.

AMERICAN BOOK RETURNS
120 6TH AVE. NORTH
ST. CLOUD, MN 56303
320-253-3044

TITLE: THRU-WALL DOUBLE DROP WALL CUT OUT

PART NAME: MODEL 910-TW DOUBLE DROP

REV	DESCRIPTION	DATE	BY	TITLE	SHEET	PART ID #	SCALE	REV
2	MATERIAL CHANGE	11-08-10	JRS	AMERICAN BOOK RETURNS	1 OF 1	0145	NOT TO SCALE	2
	RELEASE	01-01-09	JRS	120 6TH AVE. NORTH ST. CLOUD, MN 56303 320-253-3044				