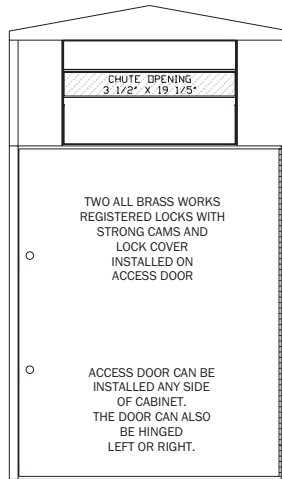
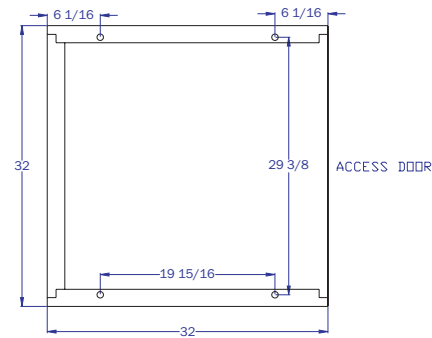


LEFT SIDE VIEW



FRONT VIEW



FOOT PRINT

M910 ANCHORS WITH (4) 1/2" SS ANCHORS

1. MARK AND DRILL HOLE SAME SIZE AS ANCHOR
2. TAP IN ANCHORS
3. SECURE WITH WRENCH



MODEL 910 INCLUDES

PART ID	DESCRIPTION
0141	STAINLESS STEEL CABINET, CAP, PANELS, LOCK AND KEYS
0714	ONE-HAND CHUTE ADDED FOR TWO SIDED DELIVERY
1006	SIGNS, 2 IN BLUE OR BLACK INSTALLED LEFT AND RIGHT OF CHUTE
1002	ENGRAVED ID PLATE 1 1/4" X 8 1/2" PLATE
1819	M910 BOOK TRUCK FEATURES GENTLE DROP NO-TIP FLOOR

ACCESSORY OPTIONS

PART ID	DESCRIPTION
2714	ONE-HAND CHUTE (OHC) ADDED FOR TWO SIDED DELIVERY
1821	BOOK TRUCK COVER WEATHER PROTECTIVE POLY DOUBLE STITCHED EACH SEAM
0610	CHUTE CLOSER INCLUDES SLIDE-PANEL, WITH "CLOSED" SIGN, PADLOCK AND 2 KEYS
0613	HEAVY DUTY WEATHER GUARD FOR ONE-HAND CHUTE AVAILABLE FOR ALL SIZE OHC'S
1819	EXTRA M910 BOOK TRUCK FEATURES GENTAL DROP NO-TIP FLOOR
1113	COLOR COATED ARMOR ENTIRE CABINET ONE COLOR

THE INFORMATION CONTAINED IN THIS DRAWING IS THE SOLE PROPERTY OF AMERICAN BOOK RETURNS. ANY MISUSE IN PART OR AS A WHOLE IS STRICTLY PROHIBITED BY AMERICAN BOOK RETURNS.

AMERICAN BOOK RETURNS
120 6TH AVE. NORTH
ST. CLOUD, MN 56303
320-253-3044

TITLE

M910 CUT SHEET

PART NAME

MODEL 910 SS RETURN FOR
WALK-UP AND DRIVE-UP SERVICE

REV	DESCRIPTION	DATE	BY
	RELEASE	04-30-09	JRS

TOL: UNLESS OTHERWISE SPECIFIED
ANGLES: ±1°
.XX±.030
.XXX±.010

SHEET

1 OF 1

PART ID #

SEE ABOVE

SCALE

NTS

REV