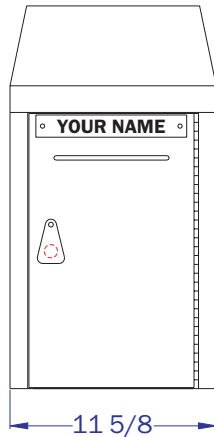
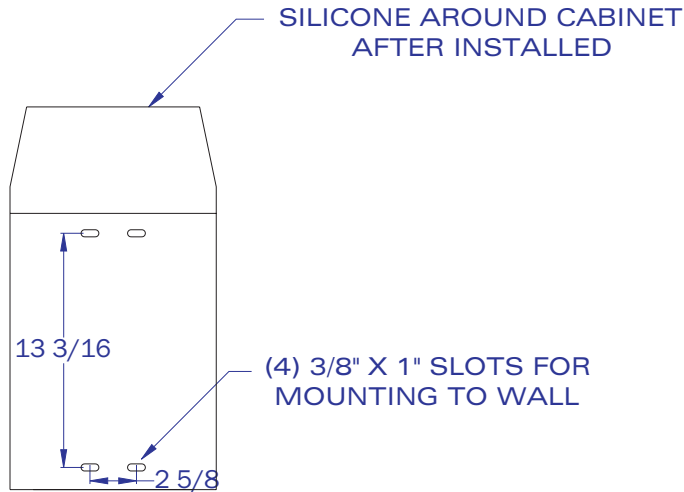


LEFT SIDE VIEW



FRONT VIEW



BACK VIEW

M300-OW INCLUDES

PART ID	DESCRIPTION
0101	A HEAVY GAUGE STAINLESS STEEL CABINET w/ PIANO HINGED DOOR, GALVANIZED FLOOR AND BACK WITH A POWDER COATED MANSARD CAP. BRASS WORKS LOCK, (2) DOUBLE-BITTED KEYS, STRONG CAM, LOCK COVER AND FLOOR LINER.(3) BLACK SIGNS: "PLACE PAYMENTS HERE", "DO NOT USE CASH", "THANK YOU".
1002	ID PLATE 1.25 X 8.5 INCH WIDE, ENGRAVED WITH YOUR NAME.

ACCESSORY OPTIONS

PART ID	DESCRIPTION
0601	DOUBLE LOCK DOOR PANEL WITH (2) EIGHT TUMBLER, ALL BRASS WORKS LOCKS AND (2) DOUBLE-BITTED KEYS FOR EACH LOCK.
0609	"CLOSED" SLOT COVER ATTACHES INSIDE WITH (2) WING NUTS.
0801	Envelope Holder 8 x 4.5 inches wide [25 capacity]
0802	Envelope Holder 10.5 x 4.5 inches wide [25 capacity]
0803	Envelope Holder 10.5 x 4.5 inches wide [100 capacity]
1101	Ocean Front Finish powder coat salt resistant finish, for each cabinet, pedestal, or pair of protector posts.
1008	Custom Vinyl Message and/or Color
1102	Powder Coat entire cabinet One color.
1103	Custom Color Match please provide design or color swatch.

THE INFORMATION CONTAINED IN THIS DRAWING IS THE SOLE PROPERTY OF AMERICAN SECURITY CABINETS. ANY MISUSE IN PART OR AS A WHOLE IS STRICTLY PROHIBITED BY AMERICAN SECURITY CABINETS.

AMERICAN SECURITY CABINETS  
120 6TH AVE. NORTH  
ST. CLOUD, MN 56303  
320-253-3044

TITLE  
**MODEL 300-OW  
WALK-UP ON-WALL CUT SHEET**

PART NAME  
**M300-OW**

REV	DESCRIPTION	DATE	BY
	RELEASE	09-20-10	JRS

SHEET	PART ID #	SCALE	REV
1 OF 1	SEE ABOVE	NTS	