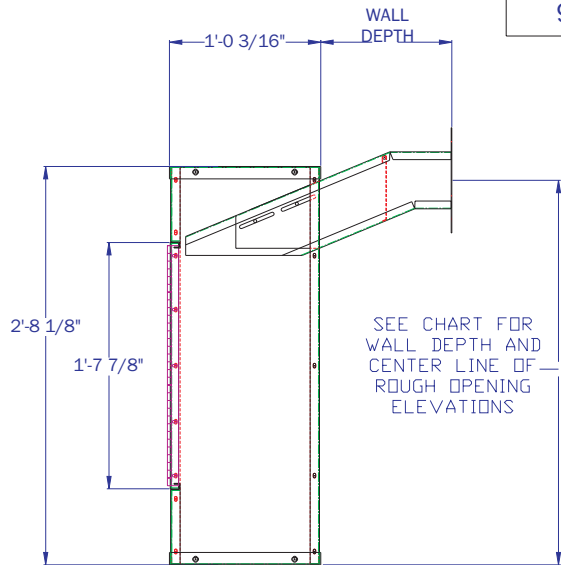
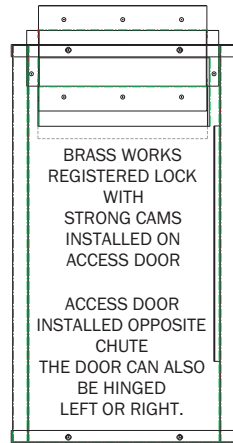


**ROUGH  
OPENING  
9" X 16"**



**LEFT SIDE VIEW**

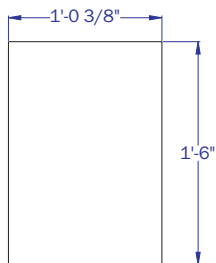


**FRONT VIEW**

BRASS WORKS REGISTERED LOCK WITH STRONG CAMS INSTALLED ON ACCESS DOOR

ACCESS DOOR INSTALLED OPPOSITE CHUTE

THE DOOR CAN ALSO BE HINGED LEFT OR RIGHT.



**FOOT PRINT**

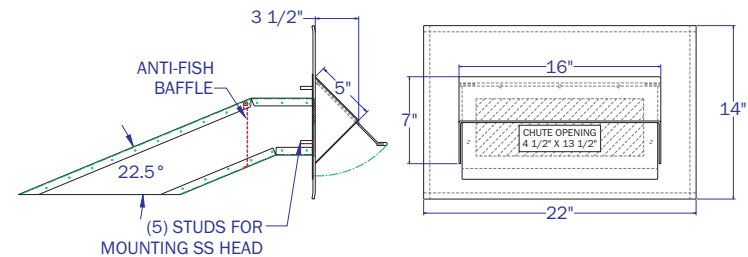
**MODEL LEDU  
INCLUDES**

PART ID	DESCRIPTION
0118	LOCKED CHEST, SS HEAD, DELIVERY CHUTE, LOCK AND KEYS, SIGNS: "NIGHT DROP" & "LIFT TO OPEN" CUSTOM SIGNS AVAILABLE AT NO ADDITIONAL CHARGE

**ACCESSORY OPTIONS**

PART ID	DESCRIPTION
0608	LOCKABLE LIFT PLATE INCLUDES LOCK BAR, PAD LOCK, AND 2 KEYS
1217	MEDIA SLOT RESTRICTOR PLATE ADJUSTABLE FROM 1/2" TO 2 3/4" X 13 1/3" WIDE. PLATE ATTACHES BEHIND EMDU SS HEAD.
1114	COLOR COATED ARMOR ENTIRE STAINLESS STEEL HEAD, CHUTE, AND CABINET ONE COLOR

**SS HEAD &  
DELIVERY CHUTE DETAIL**



**WALL DEPTH ELEVATIONS**

ASSUMES SAME INTERIOR AND EXTERIOR GRADE

WALL DEPTH	C.L OF ROUGH OPENING
4" - 6"	28 3/4" - 28 3/4"
6" - 8"	28 3/4" - 29 3/4"
8" - 10"	29 3/4" - 30 3/4"
10" - 12"	30 3/4" - 31 3/4"
12" - 14"	31 3/4" - 32 3/4"
14" - 16"	32 3/4" - 33 3/4"
16" - 18"	33 3/4" - 34 3/4"
18" - 20"	34 3/4" - 35 3/4"
20" - 22"	35 3/4" - 36 3/4"
22" - 24"	36 3/4" - 37 3/4"

THE INFORMATION CONTAINED IN THIS DRAWING IS THE SOLE PROPERTY OF AMERICAN BOOK RETURNS. ANY MISUSE IN PART OR AS A WHOLE IS STRICTLY PROHIBITED BY AMERICAN BOOK RETURNS.

AMERICAN BOOK RETURNS  
120 6TH AVE. NORTH  
ST. CLOUD, MN 56303  
320-253-3044

TITLE

**LEDU\_CUT SHEET**

PART NAME

**MODEL LEDU**

REV	DESCRIPTION	DATE	BY	TOL: UNLESS OTHERWISE SPECIFIED ANGLES: ±1° .XX±.030 .XXX±.010
	<b>RELEASE</b>	<b>09-21-11</b>	<b>JRS</b>	

SHEET	PART ID #	SCALE	REV
	<b>0118</b>	<b>NTS</b>	