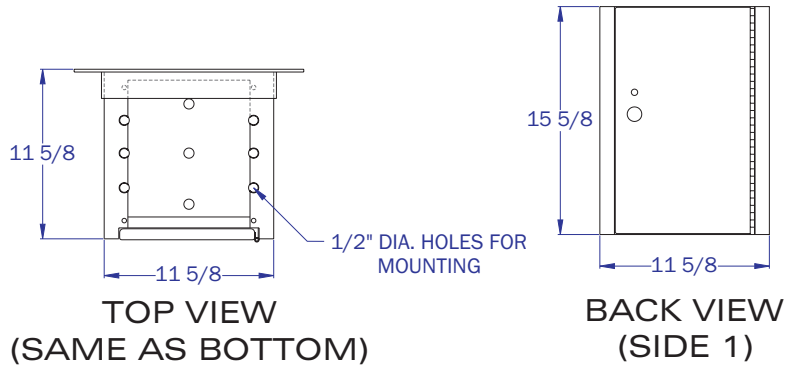


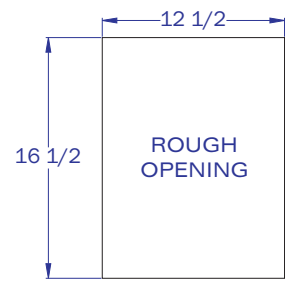
LEFT SIDE VIEW

FRONT VIEW  
(SIDE 2)



TOP VIEW  
(SAME AS BOTTOM)

BACK VIEW  
(SIDE 1)



CENTER OF ROUGH OPENING  
SHOULD BE LESS THAN 43"  
FROM EXTERIOR GRADE

**MODEL 500-IW  
INCLUDES**

PART ID	DESCRIPTION
0106	CABINETS WALLS ARE CONSTRUCTED OF HEAVY GAUGE FOLD-WELD STAINLESS STEEL (SS). 1/8" SS TOP AND BOTTOM MOUNTING PLATES HAVE 1/2" DIAMETER PRE DRILLED HOLES FOR VERTICAL ANCHORING. ALL BRASS-WORKS HIGH SECURITY LOCK WITH (2) DOUBLE BITTED KEYS AND STRONG CAMS. RAINSHIELD FASTENS BENEATH ID PLATE TO PROTECT 1/4" X 6 1/4" WIDE PAYMENT SLOT. BLACK SIGNS: PLACE PAYMENTS HERE DO NOT USE CASH THANK YOU
1209	2" STAINLESS STEEL FLANGE IS FORMED AND FITTED TO PROVIDE A FINISHED EDGE FOR YOUR ROUGH OPENING.
1002	ID PLATE 1 1/4" X 8 1/2" WIDE ENGRAVED WITH YOUR NAME

**ACCESSORY OPTIONS**

PART ID	DESCRIPTION
0609	"CLOSED" SLOT COVER ATTACHES INSIDE WITH (2) WING NUTS
0601	DOUBLE LOCK DOOR PANEL WITH (2) ALL BRASS-WORKS HIGH SECURITY LOCKS AND (2) DOUBLE BITTED KEYS FOR EACH LOCK
0703	LARGE SLOT ENTRY PANEL 2" X 10" WIDE SLOT INSTALLED OPPOSITE ACCESS DOOR (SIDE 2) INCLUDES SS SPRING LOADED CLOSER PLATE AND HEAVY DUTY RAINSHIELD ABOVE SLOT.
0704	SECOND PAYMENT SLOT 1/4" X 6 1/4" WIDE SLOT OPENING INSTALLED OPPOSITE PRIMARY SLOT, RAINSHIELD INSTALLED ABOVE PAYMENT SLOT.
0712	DOUBLE SIDED ACCESS FOR PASS-THRU APPLICATIONS CLEAR OPENING IS 8 1/8" X 14 1/2" HIGH SLOT IS OPTIONAL
0801	SS ENVELOPE HOLDER 8" X 4 1/2" WIDE (25 CAPACITY)
0802	SS ENVELOPE HOLDER 10 1/2" X 4 1/2" WIDE (25 CAPACITY)
0803	SS ENVELOPE HOLDER 10 1/2" X 4 1/2" WIDE (100 CAPACITY)

THE INFORMATION CONTAINED IN THIS DRAWING IS THE SOLE PROPERTY OF AMERICAN BOOK RETURNS. ANY MISUSE IN PART OR AS A WHOLE IS STRICTLY PROHIBITED BY AMERICAN BOOK RETURNS.

AMERICAN BOOK RETURNS  
120 6TH AVE. NORTH  
ST. CLOUD, MN 56303  
320-253-3044

TITLE  
**M500-IW CUT SHEET**

PART NAME  
**MODEL 500-IW**

REV	DESCRIPTION	DATE	BY
	RELEASE	08-28-09	JRS

TOL: UNLESS OTHERWISE SPECIFIED  
ANGLES: ±1°  
.XX±.030  
.XXX±.010

SHEET	PART ID #	SCALE	REV
1 OF 1	0106	NTS	