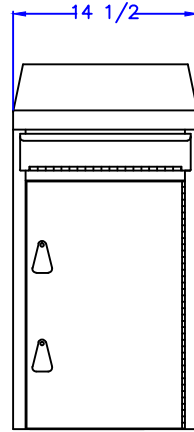
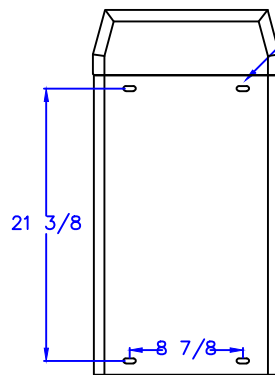


LEFT SIDE VIEW

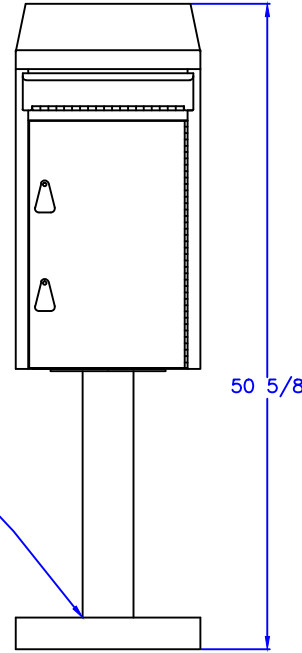


FRONT VIEW



BACK VIEW

(4) 3/8" X 3/4" SLOTS FOR MOUNTING TO WALL
 SILICONE AROUND CABINET AFTER INSTALLED
 (4) 1/2" X 3-3/4" SS WEDGE ANCHORS INCLUDED WITH STAND
 SILICONE AROUND COVER PLATE AFTER INSTALLED



22" PLATFORM PEDESTAL ANCHORS WITH (4) 1/2" SS ANCHORS

1. MARK AND DRILL HOLE SAME SIZE AS ANCHOR
2. TAP IN ANCHOR
3. SECURE WITH WRENCH

M450 INCLUDES

PART ID	DESCRIPTION
0148	THIS ALL STAINLESS STEEL SECURITY CABINET AND MANSARD CAP FEATURES HEAVY DUTY BOLT-WELD CONSTRUCTION AND IS NOMINALLY 15 X 10 X 29 INCHES HIGH. THE DEPOSITORY INCLUDES AN INDUSTRIAL HINGED DOOR, (2) BRASS WORKS LOCKS, (2) DOUBLE-BITTED KEYS, STRONG CAMS, LOCK COVERS, FLOOR LINER, AND DRIP LEDGE INSTALLED ABOVE DELIVERY SLOT. THE DELIVERY SLOT'S CLEAR OPENING IS 12 X 1.5 INCHES HIGH AND RECEIVES ENVELOPES UP TO 16 INCHES LONG. THE SLOT PROVIDES TILT-AND-SLIDE EASY DELIVERY ALONG WITH ANTI TAMPER PROTECTION. (3) BLACK SIGNS: "PLACE ENVELOPES HERE", "PULL TO DROP", AND "THANK YOU".

ACCESSORY OPTIONS

PART ID	DESCRIPTION
22-OC	22 INCH PLATFORM STAINLESS STEEL PEDESTAL
0203	57 INCH IN-GROUND STAINLESS STEEL PEDESTAL
0502	54 INCH STAINLESS STEEL PROTECTOR POSTS (ONE PAIR)
1002	ID PLATE 1.25 X 8.5 INCHES WIDE ENGRAVED WITH YOUR NAME
1101	OCEAN FRONT FINISH POWDER COAT SALT RESISTANT FINISH, FOR EACH CABINET, PEDESTAL, OR PAIR OF PROTECTOR POSTS.
1008	CUSTOM VINYL MESSAGE AND/OR COLOR
1102	POWDER COAT ENTIRE CABINET ONE COLOR
1103	CUSTOM COLOR MATCH PLEASE PROVIDE DESIGN OR COLOR SWATCH

THE INFORMATION CONTAINED IN THIS DRAWING IS THE SOLE PROPERTY OF AMERICAN SECURITY CABINETS. ANY MISUSE IN PART OR AS A WHOLE IS STRICTLY PROHIBITED BY AMERICAN SECURITY CABINETS.

AMERICAN SECURITY CABINETS
 120 6TH AVE. NORTH
 ST. CLOUD, MN 56303
 320-253-3044

TITLE MODEL 450
 LARGE ENVELOPE DEPOSITORY CUT SHEET

PART NAME M450-OW OR OC

REV	DESCRIPTION	DATE	BY
	RELEASE	02-17-12	JRS

SHEET	PART ID #	SCALE	REV
1 OF 1	SEE ABOVE	NTS	